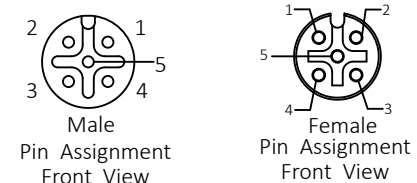
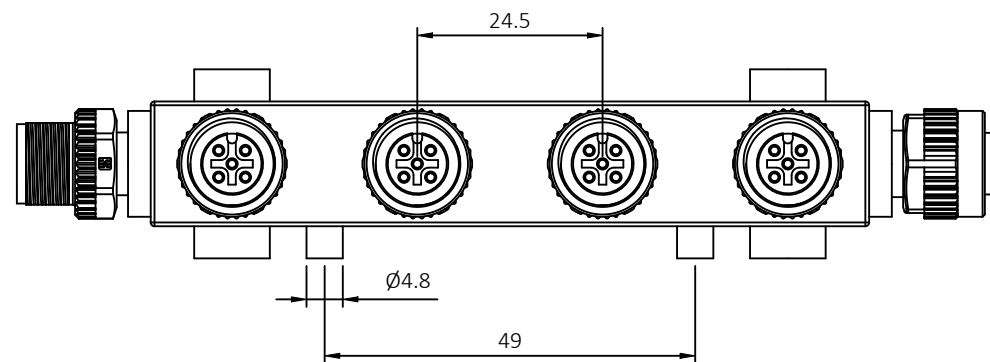
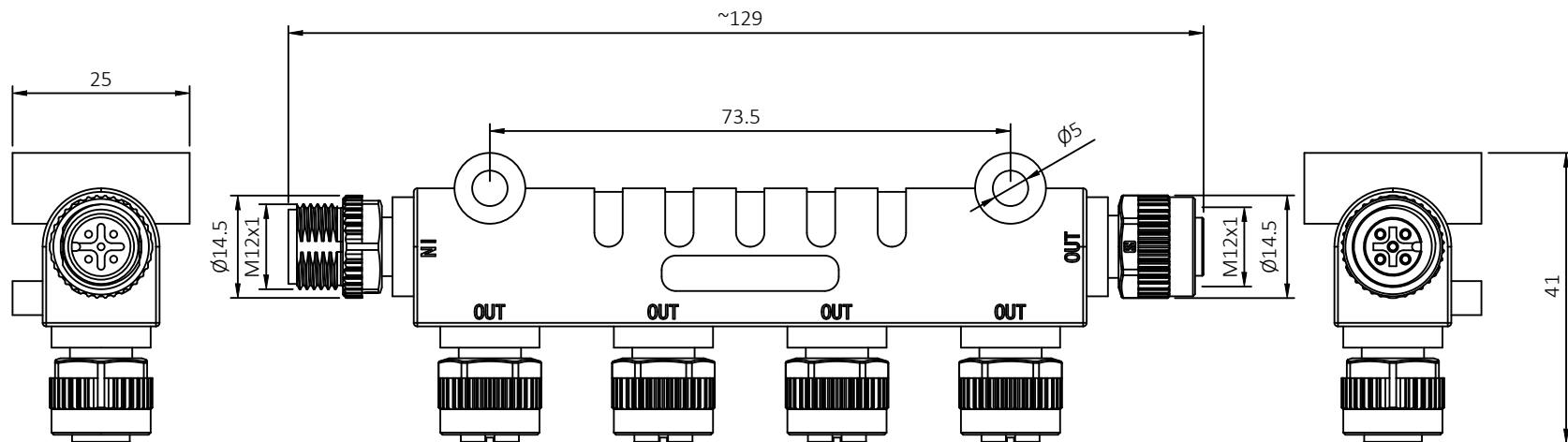




ISSUE	DESCRIPTION	DWN	DATE	APPROVEN
R1.0	First issue	Ding	2024/01/01	JIM.KING



General Specifications:
 Comply with IEC61076-2-101
 Connector 1: M12 5P Female x5
 Connector 2: M12 5P Male
 Locking: Screw Connection
 Termination: Solder Cup

Electrical:
 Rated Voltage: 60V AC/DC
 Rated Current: 4A
 Contact Resistance: $\leq 5m\Omega$
 Insulation Resistance: $\geq 100M\Omega$

Mechanical:
 Mating Cycles: min 500
 Temperature Range: -25 to 80° C
 Degree of Protection: IP67

Material:
 Coupling nut/screw: Zinc Alloy, Electroless Nickel
 Insulator: PA66 UL94-V0 black
 Contacts: Brass, Gold Plated
 Seal: FKM ,Green
 Body Molding:PVC, Blue

Wire list

CONN1	CONN2	CONN3	CONN4	CONN5	CONN6
1	1	1	1	1	1
2	2	2	2	2	2
3	3	3	3	3	3
4	4	4	4	4	4
5	5	5	5	5	5

-TOLERANCES-
UNLESS OTHERWISE
SPECIFIED

UNLESS OTHERWISE SPECIFIED
TOLERANCES FOR MILLIMETERS ARE:
 0.5 - 8mm $\pm 0.20mm$
 8 - 30mm $\pm 0.25mm$
 30 - 120mm $\pm 0.30mm$

dosinconn 东莞市德索精密工业有限公司
CONNECTOR & CABLE ASSEMBLY

PART DESCRIPTION:
M12 6T-Splitter, M12 5P Male-Female *3

P/N: RHT-634-3402

Appr: JIM.KING

Check: Date Scale Unit Type Page

Draw: DING 2024.01.01 Free MM Z 1/1