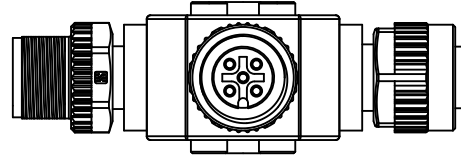
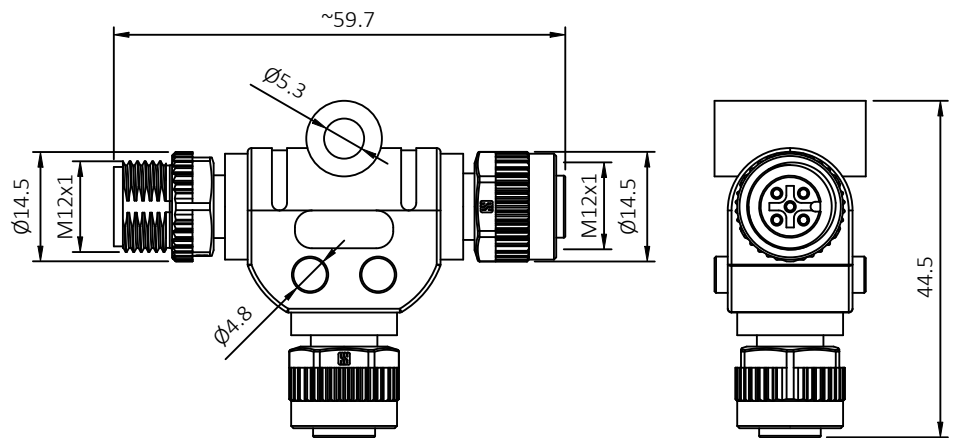
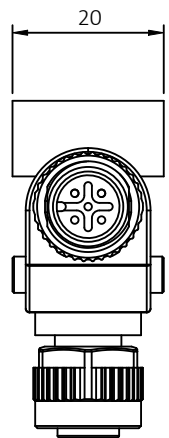
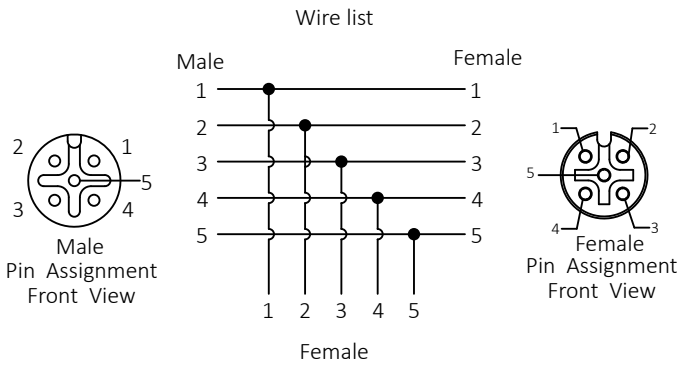




ISSUE	DESCRIPTION	DWN	DATE	APPROVEN
R1.0	First issue	Ding	2024/01/01	JIM.KING



General Specifications:
 Comply with IEC61076-2-101
 Connector 1: M12 5P Female x2
 Connector 2: M12 5P Male
 Locking: Screw Connection
 Termination: Solder Cup

Electrical:
 Rated Voltage: 60V AC/DC
 Rated Current: 4A
 Contact Resistance: $\leq 5m\Omega$
 Insulation Resistance: $\geq 100M\Omega$

Mechanical:
 Mating Cycles: min 500
 Temperature Range: -25 to 80° C
 Degree of Protection: IP67

Material:
 Coupling nut/screw: Zinc Alloy, Electroless Nickel
 Insulator: PA66 UL94-V0 black
 Contacts: Brass, Gold Plated
 Seal: FKM ,Green
 Body Molding:PVC, Blue

-TOLERANCES- UNLESS OTHERWISE SPECIFIED	东莞市德索精密工业有限公司 <small>CONNECTOR & CABLE ASSEMBLY</small>				
	PART DESCRIPTION: M12 T-Splitter, M12 5P Male-Female -Female				
UNLESS OTHERWISE SPECIFIED TOLERANCES FOR MILLIMETERS ARE: 0.5 - 8mm $\pm 0.20mm$ 8 - 30mm $\pm 0.25mm$ 30 - 120mm $\pm 0.30mm$	Appr: JIM.KING	P/N: RHT-634-3399			
	Check:	Date: 2024.01.01	Scale: Free	Unit: MM	Type: Z
	Draw: DING	Date: 2024.01.01	Scale: Free	Unit: MM	Type: Z