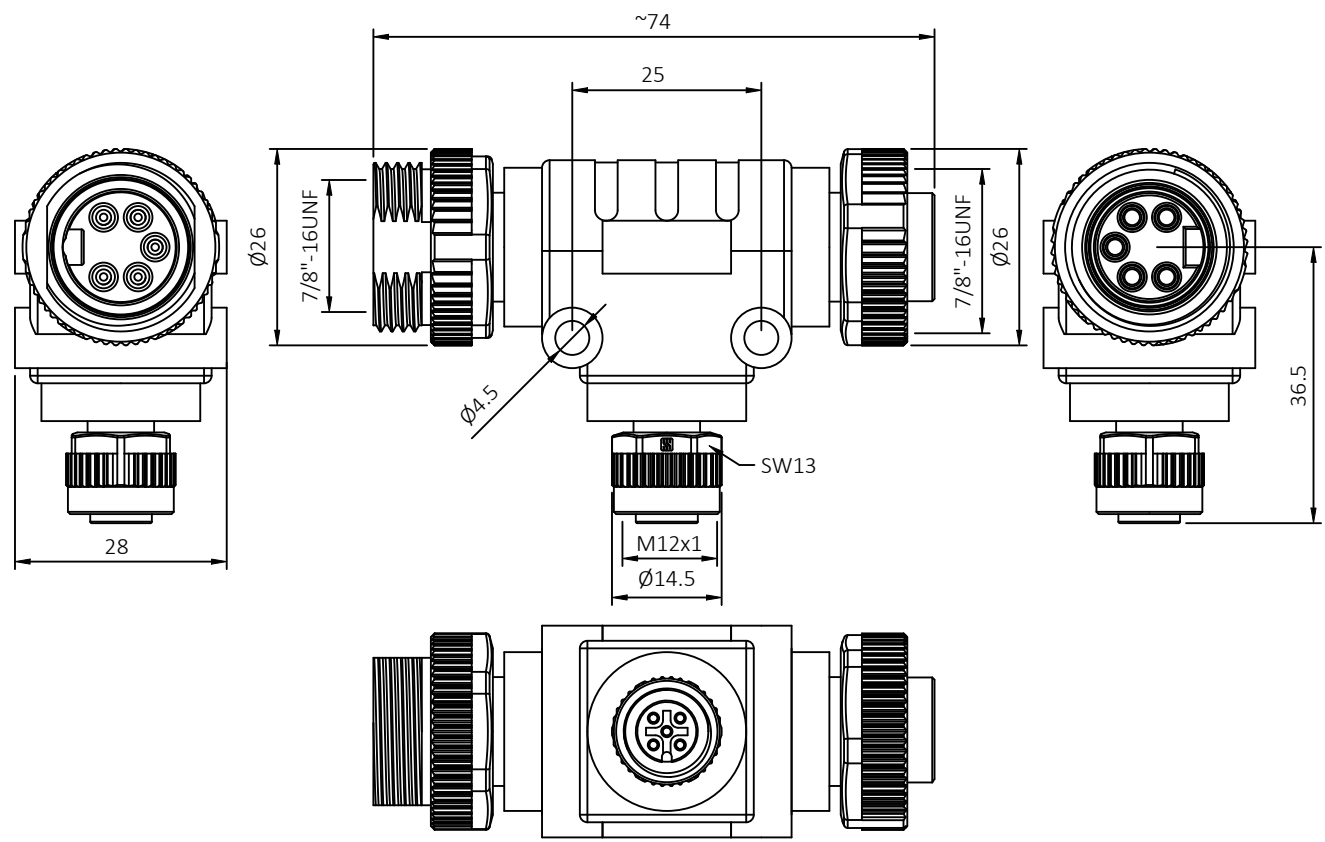
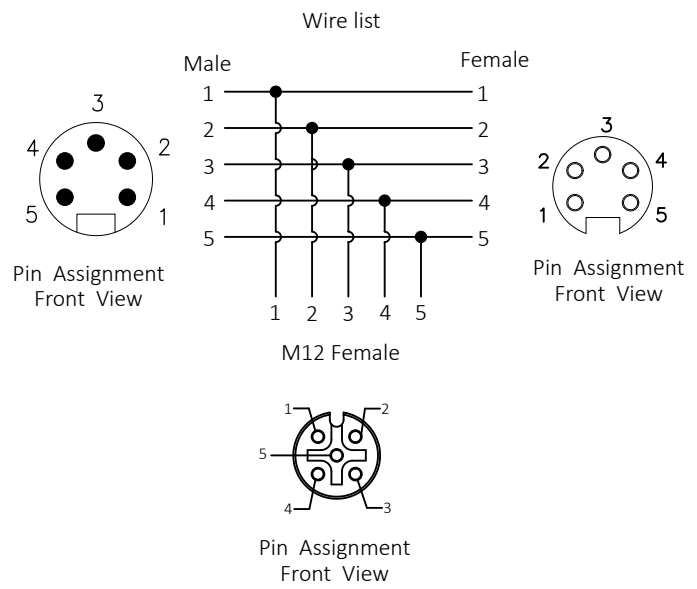




ISSUE	DESCRIPTION	DWN	DATE	APPROVEN
R1.0	First issue	Ding	2024/01/01	JIM.KING



General Specifications:
 Connector 1: 7/8"-16UNF 5P Female
 Connector 2: 7/8"-16UNF 5P Male
 Connector 3: M12 5P Female
 Locking: Screw Connection
 Termination: Solder Cup

Electrical:
 Rated Voltage: 60V AC/DC
 Rated Current: 4A
 Contact Resistance: ≤5mΩ
 Insulation Resistance: ≥100MΩ

Mechanical:
 Mating Cycles: min 500
 Temperature Range: -25 to 80° C
 Degree of Protection: IP67

Material:
 Coupling nut/screw: Zinc Alloy, Electroless Nickel
 Insulator: TPU black
 Contacts: Brass, Gold Plated
 Seal: Rubber, black
 Body Molding: PVC, Yellow

-TOLERANCES- UNLESS OTHERWISE SPECIFIED	dosinconn 东莞市德索精密工业有限公司 <small>CONNECTOR & CABLE ASSEMBLY</small>				
	PART DESCRIPTION: 7/8" T-Splitter, 7/8" 5P Male-Female -M12 Female				
UNLESS OTHERWISE SPECIFIED TOLERANCES FOR MILLIMETERS ARE: 0.5 - 8mm ± 0.20mm 8 - 30mm ± 0.25mm 30 - 120mm ± 0.30mm	Appr: JIM.KING	P/N: RHT-634-3394			
	Check:	Date: 2024.01.01	Scale: Free	Unit: MM	Type: Z
	Draw: DING	Date: 2024.01.01	Scale: Free	Unit: MM	Type: Z