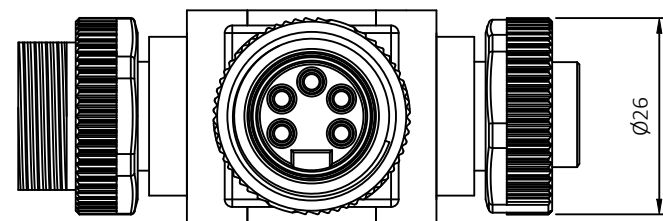
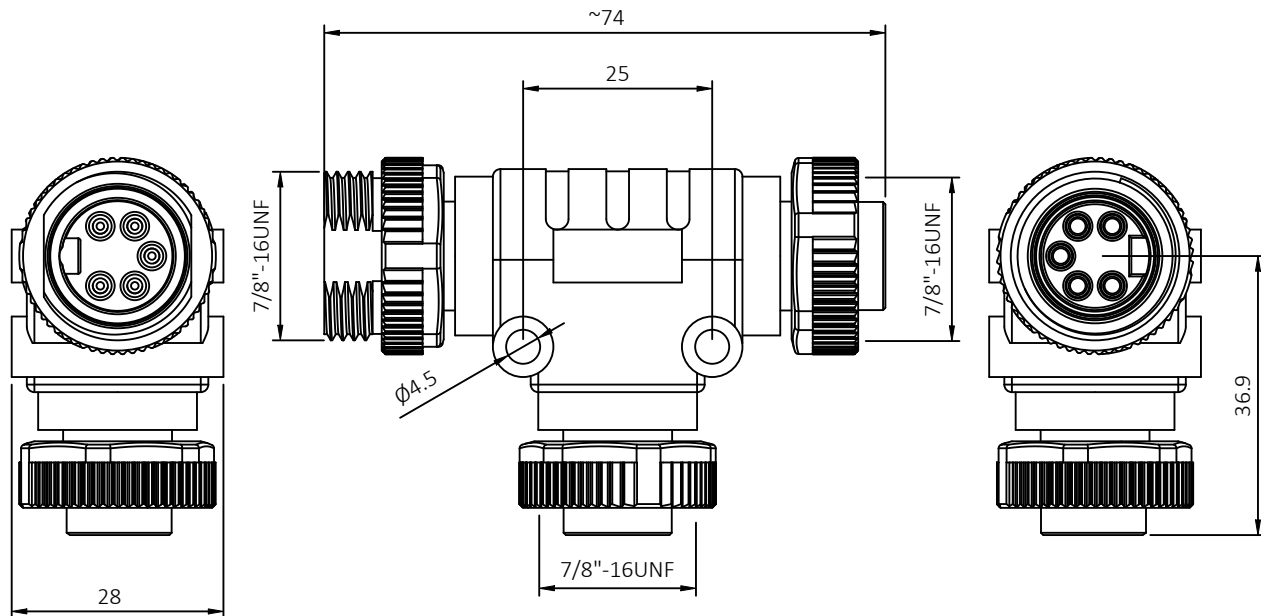
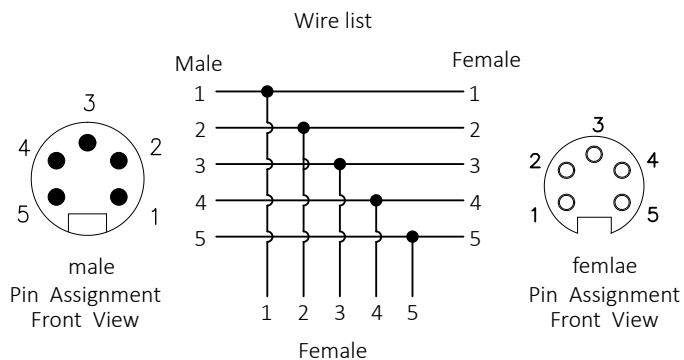




ISSUE	DESCRIPTION	DWN	DATE	APPROVEN
R1.0	First issue	Ding	2024/01/01	JIM.KING



General Specifications:

Connector 1: 7/8"-16UNF 5P Female x2
 Connector 2: 7/8"-16UNF 5P Male
 Locking: Screw Connection
 Termination: Solder Cup

Electrical:

Rated Voltage: 300V AC/DC
 Rated Current: 8A
 Contact Resistance: ≤5mΩ
 Insulation Resistance: ≥100MΩ

Mechanical:

Mating Cycles: min 500
 Temperature Range: -25 to 80° C
 Degree of Protection: IP67

Material:

Coupling nut/screw: Zinc Alloy, Electroless Nickel
 Insulator: TPU black
 Contacts: Brass, Gold Plated
 Seal: Rubber, black
 Body Molding: PVC, Yellow

-TOLERANCES- UNLESS OTHERWISE SPECIFIED UNLESS OTHERWISE SPECIFIED TOLERANCES FOR MILLIMETERS ARE: 0.5 - 8mm ± 0.20mm 8 - 30mm ± 0.25mm 30 - 120mm ± 0.30mm	东莞市德索精密工业有限公司 <small>CONNECTOR & CABLE ASSEMBLY</small>				
	PART DESCRIPTION: 7/8" T-Splitter 5P Female-Male-Female				
Appr: JIM.KING	P/N: RHT-634-3393				
Check:	Date	Scale	Unit	Type	Page
Draw: DING	2024.01.01	Free	MM	Z	1/1